

NAME: LED Mini Wall Light 18W

P/N :LX-MWL18W



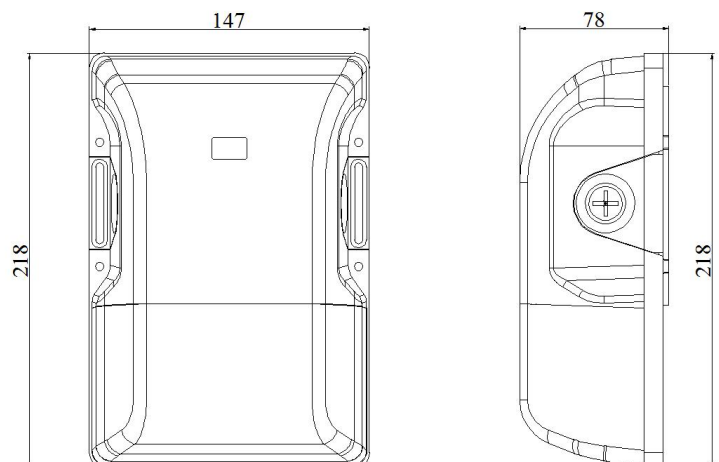
#### Advantage:

- CE RoHS certificate
- Internal driver,
- Input voltage 100-240VAC
- No UV or IR in the beam
- Easy to install and operate
- Energy saving, long lifespan
- Instant start, NO humming
- Green and eco-friendly without mercury.

#### Application:

- ◆ Entrance lighting, Courtyard lighting
- ◆ Industrial lighting, Outdoor landscape lighting
- ◆ Buildings, Hotels
- ◆ Wall lighting area and more.

#### Dimensions

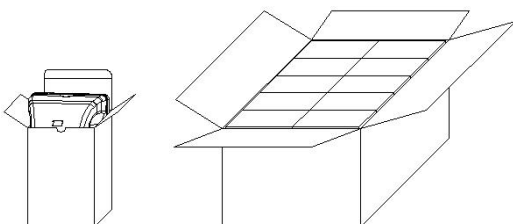


**Specifications**

<b>OPTICAL</b>	Input Power	18W
	Lumen	2160-2520LM
	Lumen Efficacy	120-140lm/W
	Color Temperature	4000K, 5000K- Switchable
	CRI	>80
	Viewing Angle	100°
<b>ELECTRICAL</b>	Input Voltage	100-240VAC 50/60Hz
	PF	≥0.9
	THD	≤20%
<b>MATERIALS</b>	LED Type	SMD2835 (0.5W)
	LED QTY	40*2PCS
	Housing	Aluminum(ADC12) +PC
	Housing Color	Black
	Cover	Stripe lens
	Waterproof Rating	WET (IP65)
	Optional Accessory	Photocell (Included)
<b>OTHERS</b>	Operating Temperature	-20°C TO 45°C
	Operating Humidity	20%-90% RH
	Storage Temperature	-30°C TO 80°C
	Storage Humidity	10%-95% RH
	Warranty Time	5 Years

**Package**
**Lamps Net Weight: 0.9kg / pcs**

	Size	Qty/Carton	Weight/Carton
Outer box	460 X 325 X 245 mm	10	9.5 kg
Inner box	154 X 88 X 225 mm	1	0.9 Kg



**Light Distribution Testing Parameters**

Illuminance at a Distance			
	Center Beam fc	Beam Width	
17.0ft	3.54 fc	38.2 ft	34.5 ft
34.0ft	0.89 fc	76.4 ft	69.1 ft
51.0ft	0.39 fc	114.6 ft	103.6 ft
68.0ft	0.22 fc	152.8 ft	138.1 ft
85.0ft	0.14 fc	190.9 ft	172.6 ft
102.0ft	0.10 fc	229.1 ft	207.2 ft

■ Vert. Spread: 96.6°  
■ Horiz. Spread: 90.9°

