

**NAME:** LED Retrofit Paddle Lamp 115W

**P/N:** LX-RPL115W

## Advantage

- SAA, CE, RoHS certificate
- LUMILEDS chip, high CRI.
- 150 degree.
- Internal driver, input voltage AC100-240V.
- E40 lamp base. Single SUNON fan.
- Lamp Base: 270 degree rotated.
- New style and high efficient wide-range input.
- Long life span and good heat dissipation.
- Direct replacement for Metal Halide, easy Installation.
- Fits many different fixtures to replace traditional lamps.



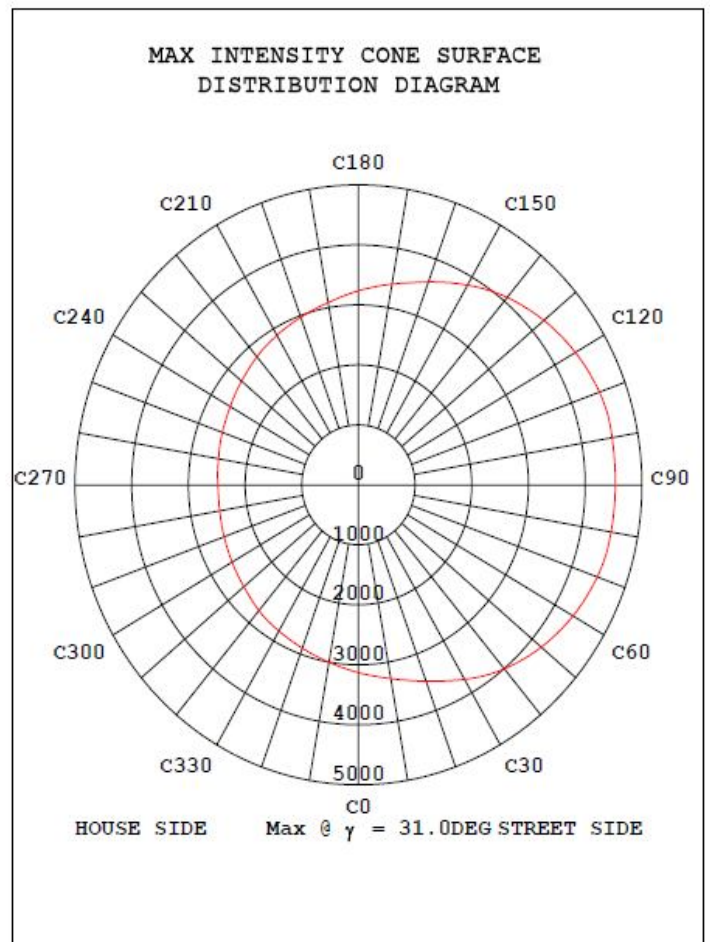
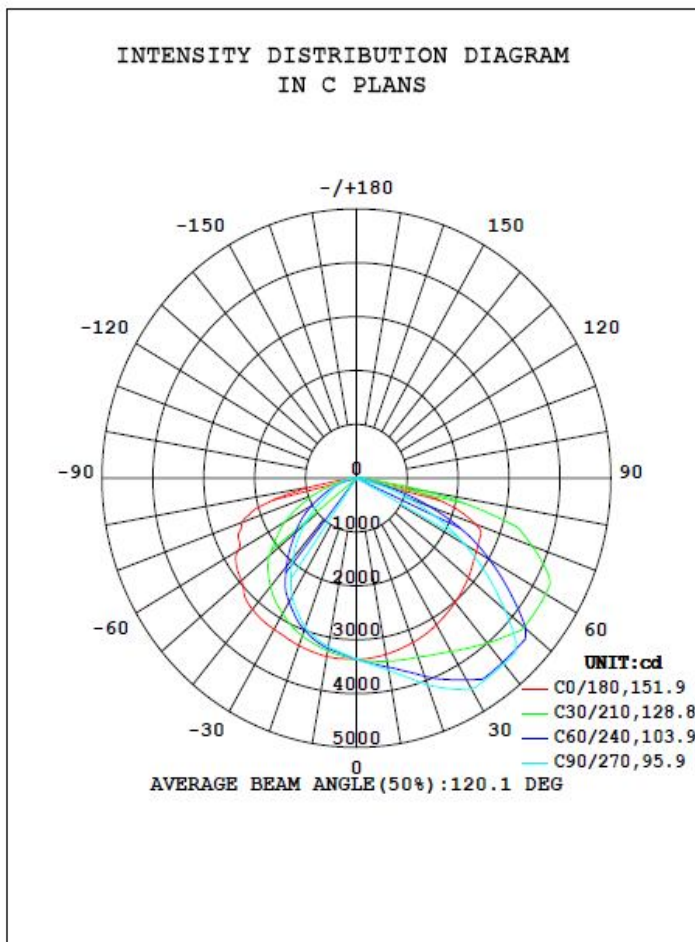
## Application

LED Retrofit Kit make it simple to replace: parking lot lighting, shoebox lighting, street lighting, flood lighting, wall pack lighting, and canopy lighting etc.

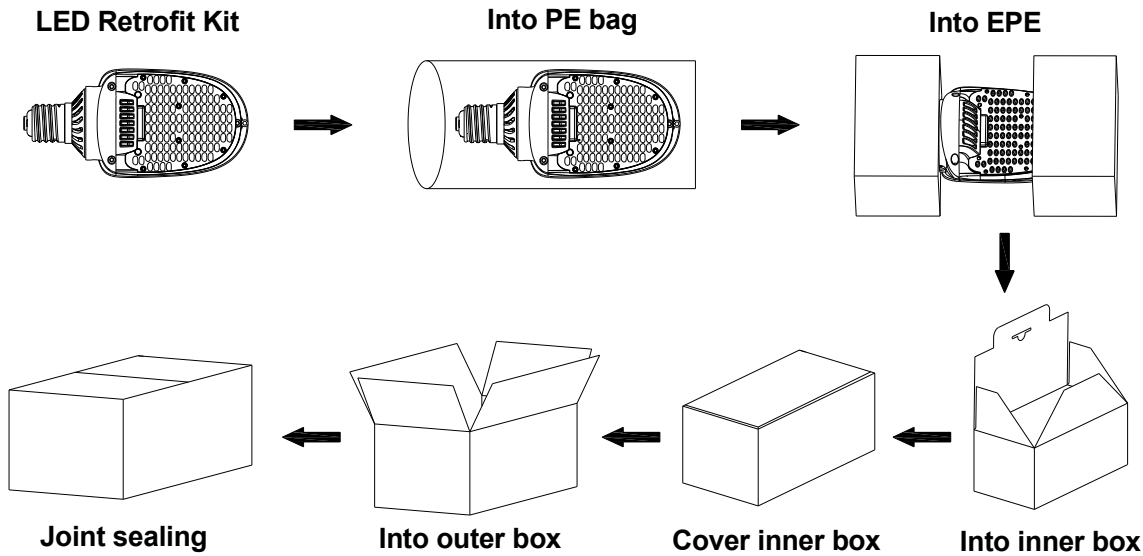
<b>PRODUCT SPECIFICATIONS</b>	
Product name	LED Retrofit Paddle Lamp 115W
Part No	LX-RPL115W
Lamp Base	E40
Dimension	297*138*87 MM
<b>Technical Characteristic</b>	
Color temperature	5000K
CRI	> 70
Lumen	12500-14500 LM
Lumen Efficacy	110-125 LM/W
Viewing Angle	150degree
Input Power	115W
Input Voltage	AC100-240V 50/60Hz
PF	>0.9
Equivalent	200W CFL , 400W MHL/HPS/HID
Waterproof Rating	IP51
<b>MATERIALS</b>	
LED Brand	LUMILEDS
LED Type	LUXEON 3030 2D ( 1.5W )
LED QTY	196 PCS
Housing	Magnesium Alloy+AL+PC
Housing color	Black+Silver
<b>OTHERS</b>	
Operating Temperature	-20°C TO 45°C
Operating Humidity	20%-70% RH
Storage Temperature	-30°C TO 80°C
Storage Humidity	10%-75% RH
Application	Shoebboxes, streetlights, floodlights, wall packs, and canopies
Safety Certification	SAA、CE、RoHS
Warranty Time	5 Years

Remark: The testing data comes directly from the product test.

DATA OF LAMP		PHOTOMETRIC DATA      Eff: 118.01 lm/W			
MODEL		I <sub>max</sub> (cd)	4550	η street_up (%)	0.0
NOMINAL POWER (W)	115	LOR (%)	100.0	η street_down (%)	65.1
RATED VOLTAGE (V)	120	TOTAL FLUX (lm)	13140	η house_up (%)	0.0
NOMINAL FLUX (lm)	13139.9	MAXIMUM @ (C, γ )	105,31.0	η house_down (%)	34.9
LAMPS INSIDE	1	η up (%)	0.0	76 FLASHAREA (m <sup>2</sup> )	0.05000
TEST VOLTAGE (V)	120	η down (%)	100.0	SLI	22.988



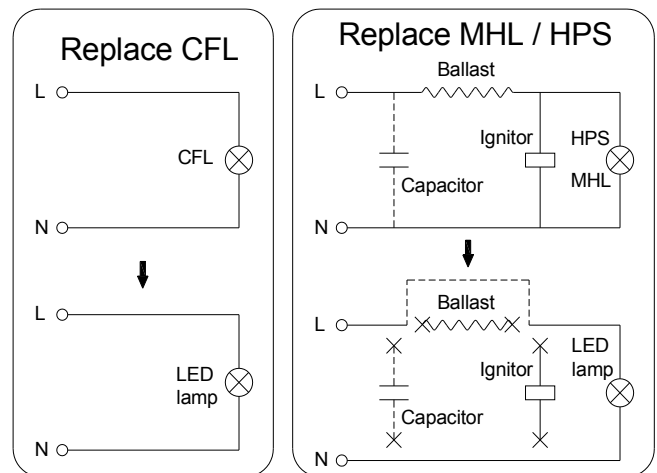
## Package



	Size	Qty/ Carton	Net Weight/ Carton	Gross Weight/ Carton
Inner box	340*160*110 MM	1 PC	1.31 KG	1.55 KG
Outer box	660*360*245 MM	8 PCS	10.5 KG	13.4 KG

## Notice For User

- Please turn off power before install or changing assembly parts.
- The input voltage and lamps should be matched, after connecting the power line, please make sure the wiring section is insulated.
- Make sure to remove or bypass the ballast in the fixtures before installing the lamp.
- Suitable for damp locations. Do not use with dimmers.
- Suitable for use in enclosed luminaires, min. lamp compartment dimensions: 440\*260\*260MM.
- Non-professionals must not install and disassemble the lamps.



## Trouble Shootings

Problems	Check points
Flickering of the lamps	Turn off the power and turn on again in 3 minutes. If same problem, then call.
Out of working	Please check the connection