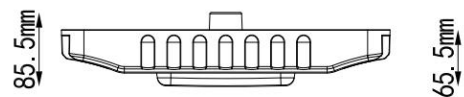
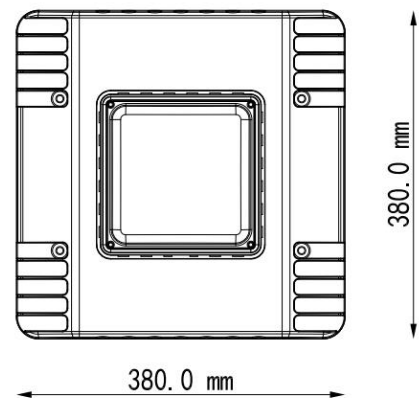


NAME: Forecourt Canopy Light 120W (middle size)

P/N: LXPSCLM120

DIMENSIONS



ADVANTAGE

- CE、RoHS certificate.
- IP65 driver, input voltage 100-240Vac.
- No UV or IR in the beam.
- Easy to install and operate.
- Energy saving, long lifespan.
- Light is soft and uniform.
- Instant start, NO flickering, NO humming.
- Green and eco-friendly without mercury.

APPLICATION

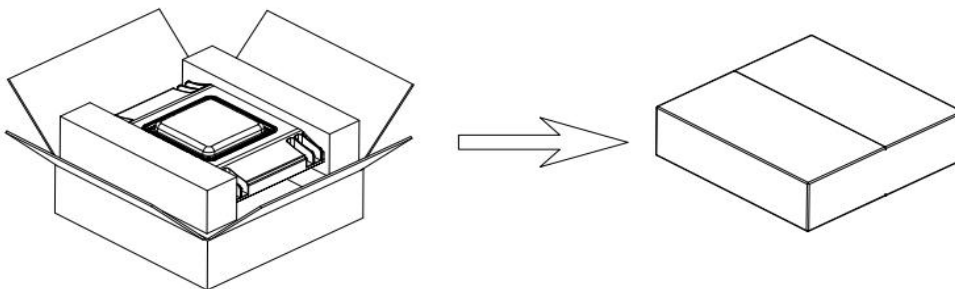
- Widely used in gas station, service station, underground parking lot, warehouse, garage;

SPECIFICATIONS

OPTICAL	Input Power	120W
	Lumen	15600LM
	Lumen Efficacy	130 LM/W
	Color Temperature	5000K
	CRI	>80
	Viewing Angle	120 Degree
ELECTRICAL	Input Voltage	100-240Vac 50/60Hz
	PF	≥0.9
	THD	≤20%
	Driver Model	Sosen
MATERIALS	LED Brand	Lumileds
	LED Type	SMD2835 (0.5W)
	LED QTY	375 PCS
	Housing	Aluminum Alloy
	Housing Color	White
	Cover	Stripe Polycarbonate Lens
	Waterproof Rating	WET (IP65)
OTHERS	Operating Temperature	-40°C TO +45°C
	Operating Humidity	10%-90% RH
	Storage Temperature	-40°C TO +80°C
	Storage Humidity	10%-95% RH
	Warranty Time	5 Years

PACKAGE

	Size	Qty/ Carton	Weight/ Carton
Outer box	425 x 420 x 120mm	1 PC	5.0KG



LIGHT DISTRIBUTION TESTING PARAMETERS

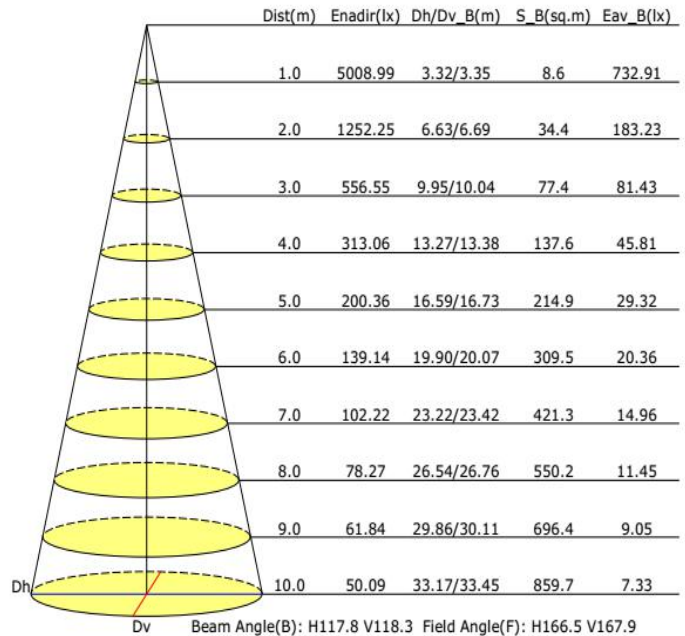
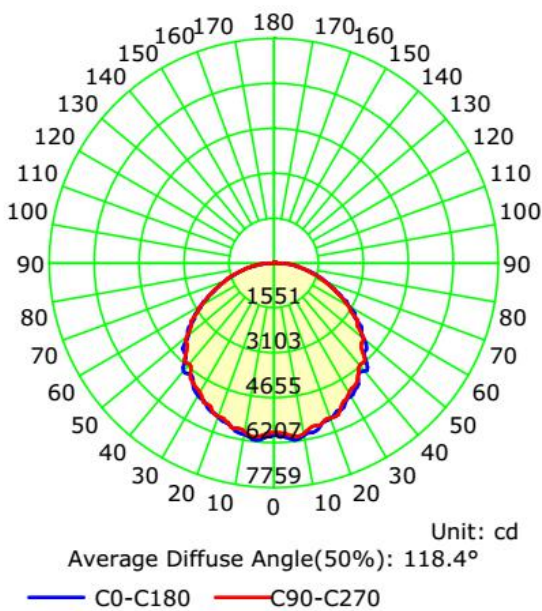
Photometric Results

CIE Class: Direct
 Measurement Flux: 15378 lm
 Downward Ratio: 99%
 Horizontal Diffuse Angle(50%): H117.9
 Vertical Diffuse Angle(50%): V118.3
 Luminaire Efficacy Rating (LER): 128.95
 Max. Intensity: 5017.28 cd
 S/MH(C0/C180): 1.26

Total Rated Lamp Lumens: 15378.0 lm
 Efficiency: 100%
 Upward Ratio: 1%

Central Intensity: 5008.99 cd
 Pos of Max. Intensity: H0 V1
 S/MH(C90/C270): 1.29

Luminous Intensity Distribution Curve



NOTICE FOR USER

Please turn off power before installation.
 The input voltage and lamps should be matched
 Please make sure the wiring is insulated.
 Only a qualified person must install the lamp.

TROUBLE SHOOTINGS

Troubles	Check points
Flickering of the light	Turn off the power and turn on again in 3 minutes. If problem repeats, then call.
Not working	Please check the connection.