

NAME: LED Mini Wall Light 26W

P/N :LX-MWL26W



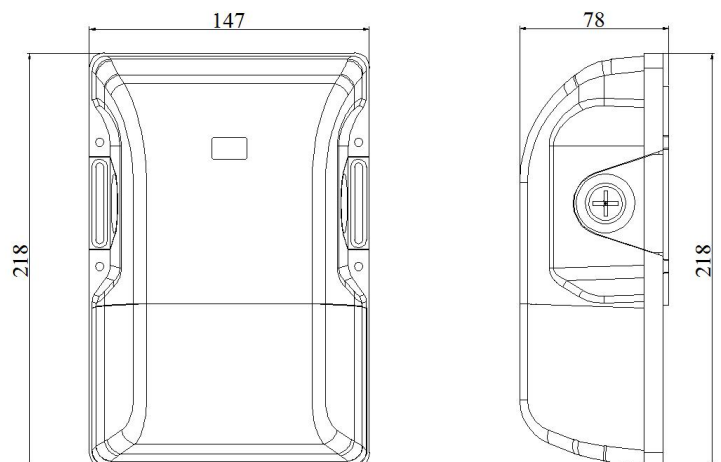
Advantage:

- CE RoHS certificate
- Internal driver,
Input voltage 100-240VAC
- No UV or IR in the beam
- Easy to install and operate
- Energy saving, long lifespan
- Instant start, NO humming
- Green and eco-friendly without mercury.

Application:

- ◆ Entrance lighting, Courtyard lighting
- ◆ Industrial lighting, Outdoor landscape lighting
- ◆ Buildings, Hotels
- ◆ Wall lighting area and more.

Dimensions

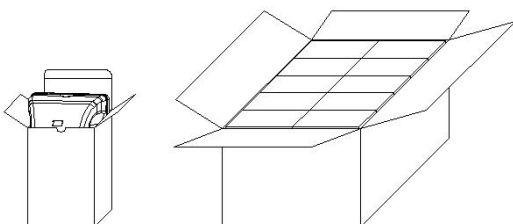


Specifications

OPTICAL	Input Power	26W
	Lumen	3140-3560LM
	Lumen Efficacy	121-137lm/W
	Color Temperature	4000K, 5000K- Switchable
	CRI	>80
	Viewing Angle	100°
ELECTRICAL	Input Voltage	100-240VAC 50/60Hz
	PF	≥0.9
	THD	≤20%
MATERIALS	LED Type	SMD2835 (0.5W)
	LED QTY	40*2PCS
	Housing	Aluminum(ADC12) +PC
	Housing Color	Black
	Cover	Stripe lens
	Waterproof Rating	WET (IP65)
	Optional Accessory	Photocell (Included)
OTHERS	Operating Temperature	-20℃ TO 45℃
	Operating Humidity	20%-90% RH
	Storage Temperature	-30℃ TO 80℃
	Storage Humidity	10%-95% RH
	Warranty Time	5 Years

Package
Lamps Net Weight: 0.9kg / pcs

	Size	Qty/Carton	Weight/Carton
Outer box	460 X 325 X 245 mm	10	9.5 kg
Inner box	154 X 88 X 225 mm	1	0.9 Kg



Light Distribution Testing Parameters
