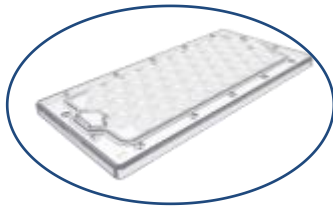


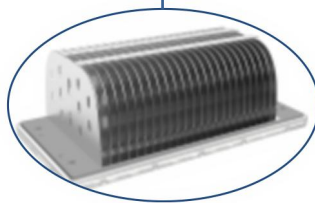
Lunar Plus-Multi Directional-180W

Optical Lenses /60°

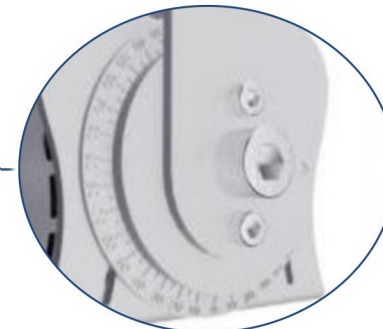
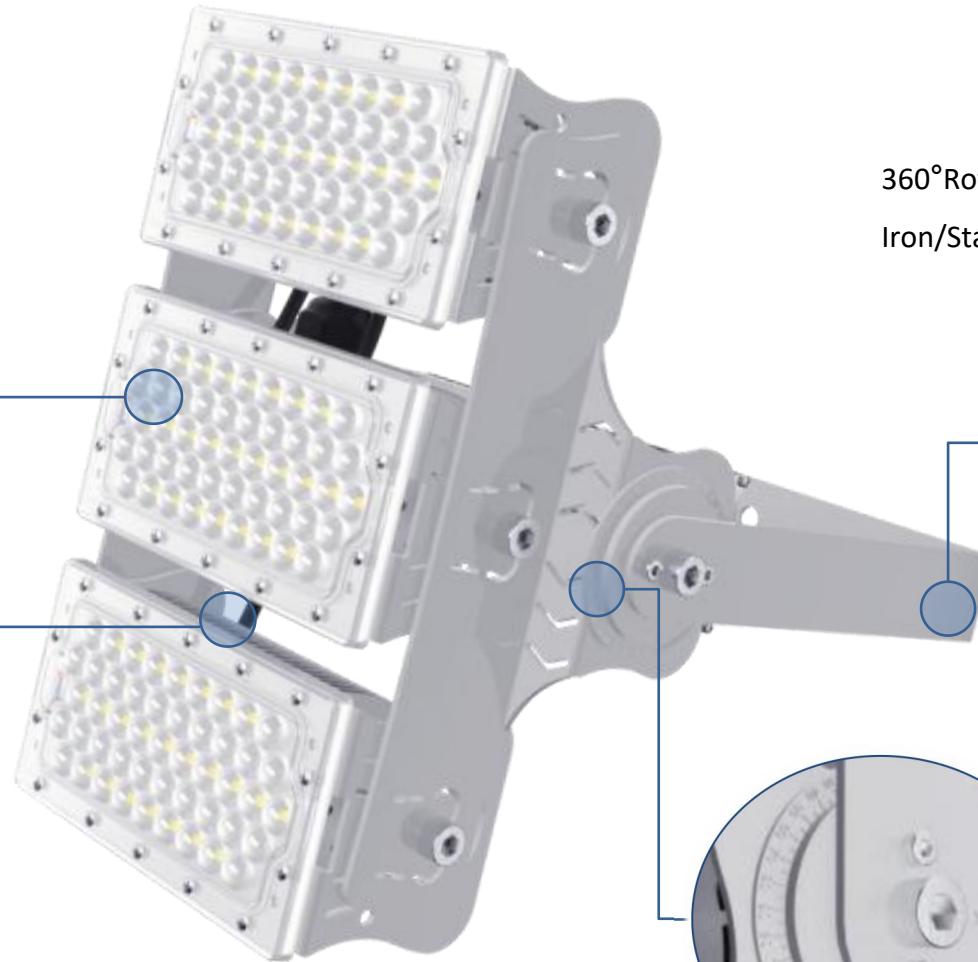


360° Rotatable Holder

Iron/Stainless Steel Holder



High Efficient Heatsink



Original Angle Scale Plate

➤ Product Parameter

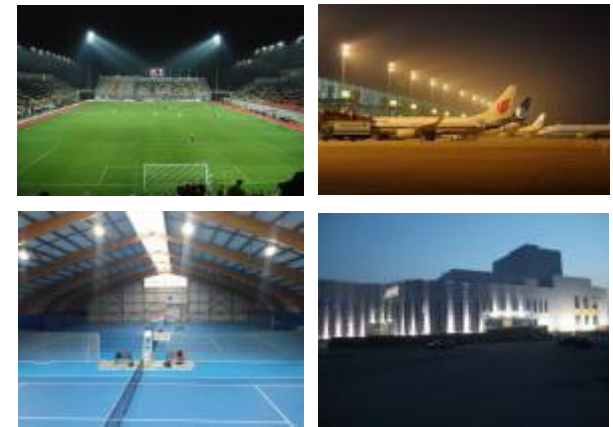
- **Wattage** 180W
- **Light Quantity** 72PCS LED
- **Driver** Meanwell
- **CRI** Ra>70
- **CCT** 5000K
- **Rated Voltage** AC 90-305V 50/60Hz
- **Power Factor** >0.95
- **Net Weight** 4.7kg±5%
- **Operating Temp** -40°C ~ 60°C
- **Dimensions** 291*340*324mm
- **IP Grade** IP65

Lamp Luminous Flux	Beam Angle	Light Source
160LM/W	60 °	Lumileds

➤ Scope of Application

Designed to meet recommended luminance and illuminance requirements for high & low flood lighting applications in industrial and commercial buildings.

- Airport
- Factory
- Billboard
- Warehouse
- Shopping Malls
- Sports Field
- High Mast Light



➤ Feature



Significant cost savings



Reliable, high quality light



Long life –up to 50 000 hours



Up to 80-90% energy saving



Quick and easy installation



Environmentally friendly solutions

LUXUM LED LTD
www.luxum.co.uk

Tel: 02071182182
mail:sales@luxum.co.uk

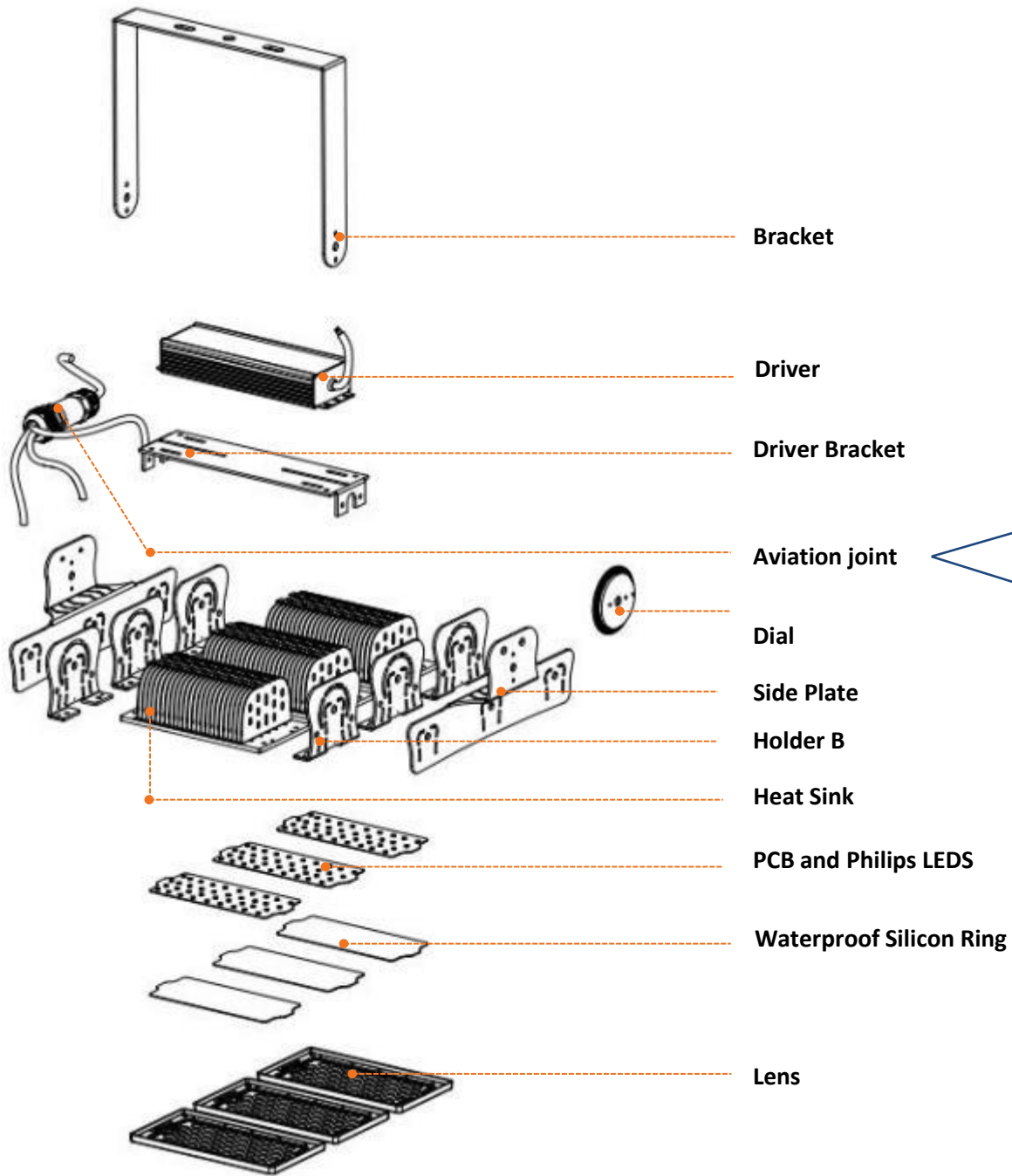
➤ Installation



- Suspension Installation
- Ground Installation
- Ceiling Installation
- Wall Installation

➤ Rotation adjustment design



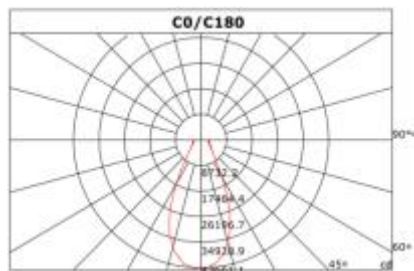


➤ Explosive View

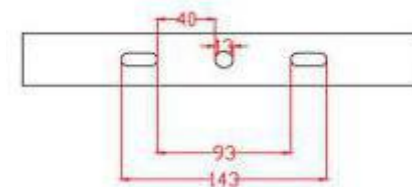
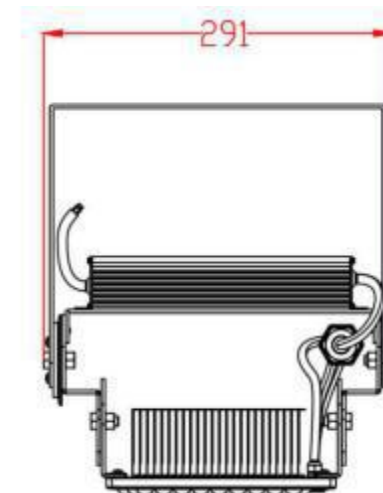
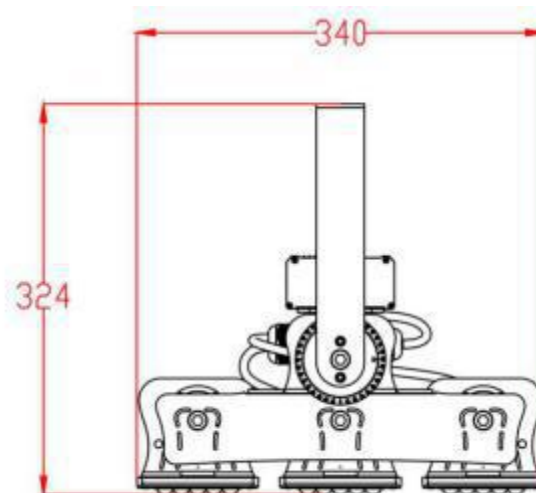


➤ Profession Light Distribution

➤ Dimensions



60°



➤ Packaging

Inner box	Weight of Box
41*33.5*24cm	5.7KG