

Pro-Sports Floodlight

Brighter Thinking



**LUXUM LED[®]
SOLUTIONS**

**Specialists in
LED LIGHTING**



SPORTS FIELD



HIGH MAST LIGHT



FACTORY



LARGE SQUARE

LUXUM LED LTD
www.luxum.co.uk

Tel: 02827665836 - 02071182182 - 07770688685
email: sales@luxum.co.uk

LXSP480W

79,200LM
248PCS LED
12kg±5%
536*165*579mm



LXSP720W

118,800LM
372PCS LED
15.8kg±5%
691*202*579mm



LXSP960W

158,400LM
496PCS LED
19.9kg±5%
846*202*579mm



LXSP1200W

198,000LM
620PCS LED
24.2kg±5%
1001*277*579mm



LXSP1440W

237,600LM
744PCS LED
26.5kg±5%
1156*277*579mm



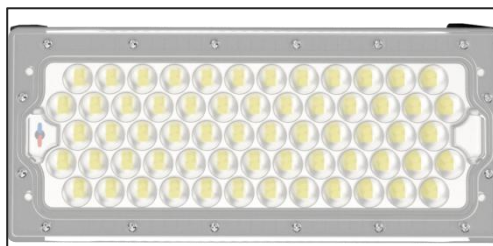
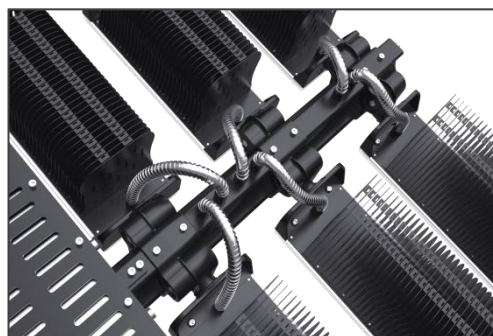
Parameter

➤ WATTAGE	480/720/960/1200/1440W
➤ LIGHT SOURCE	LUMILEDS
➤ LED QUANTITY	62 LEDS EACH MODULE
➤ DRIVER	MEANWELL
➤ LAMP LUMINOUS FLUX	165LM/W±5%(60°/90°/120°) 155LM/W±5%(30°)
➤ CRI	Ra>70
➤ CCT	2700-6500K
➤ RATED VOLTAGE	AC 90-305V, 50/60Hz
➤ POWER FACTOR	>0.95
➤ BEAM ANGLE	30°/60°/90°/120°
➤ IP GRADE	IP66
➤ HEAT SINK	ALUMINUM COOLING FIN
➤ OPERATING TEMP	-40°C~60°C



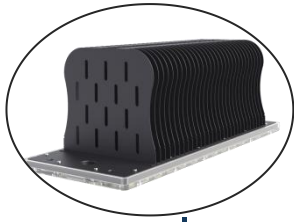
Housing and Finish

- Aluminum housing.
- Electrophoresis coat, corrosion and rust protection.
- 304 Stainless Steel pipe to well protect the cables.



Optical lens

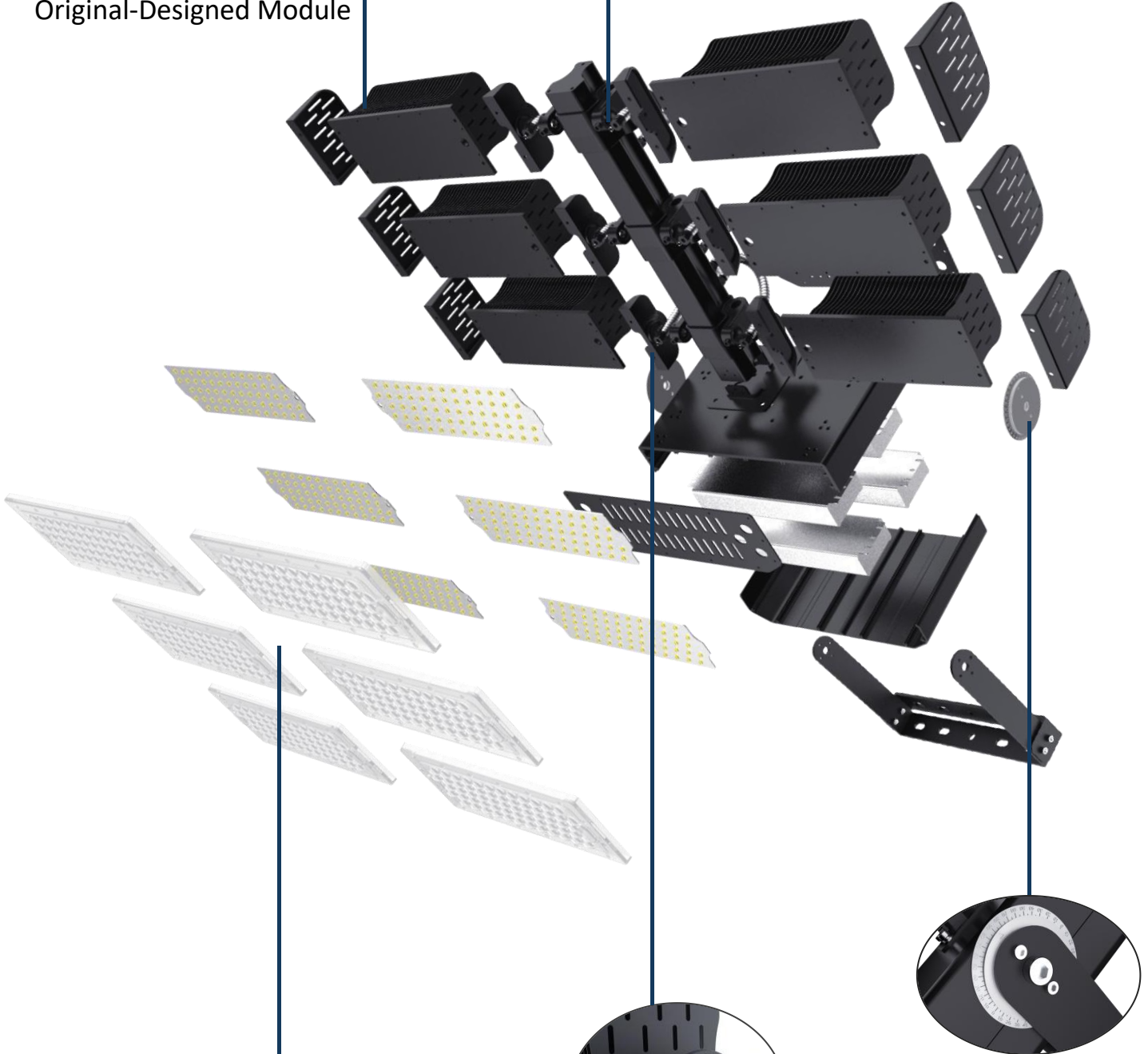
- 95% Light transmittance rate
- Heat-resisting Material



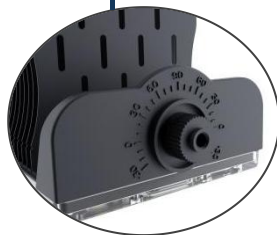
Original-Designed Module



Rotation Scale



Replaceable Optical Lens



Rotation Scale



Bracket Rotation Scale Dial

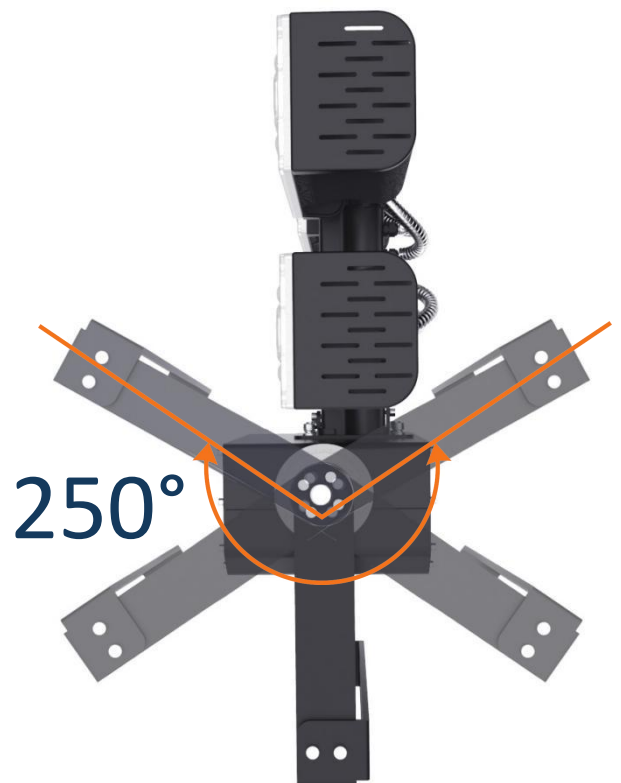


360°



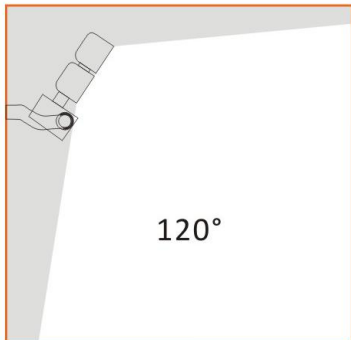
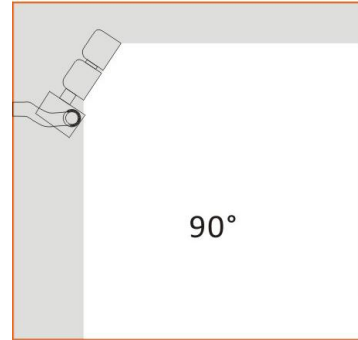
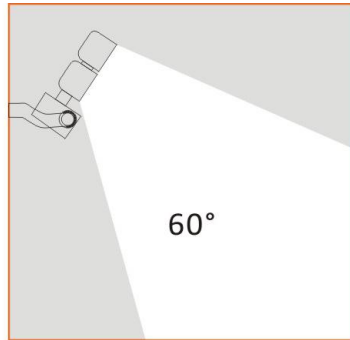
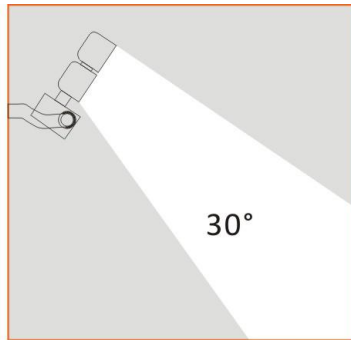
360 ° Rotated for Every Single Module

250 ° Bracket Rotatable

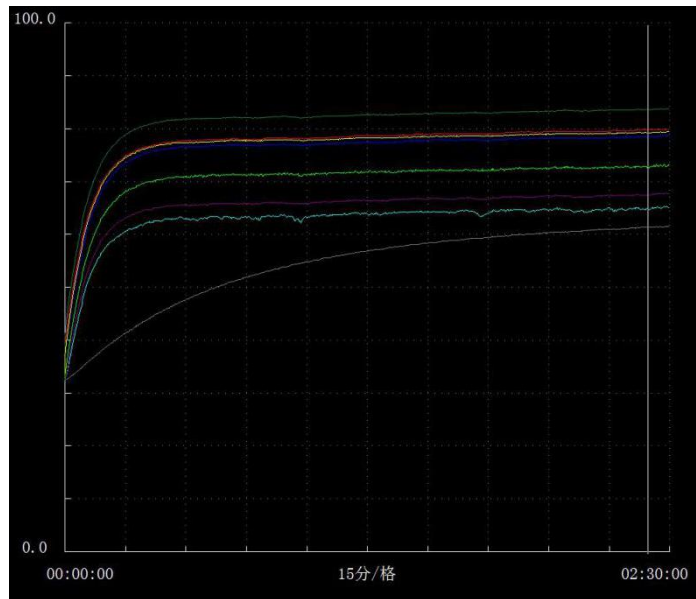
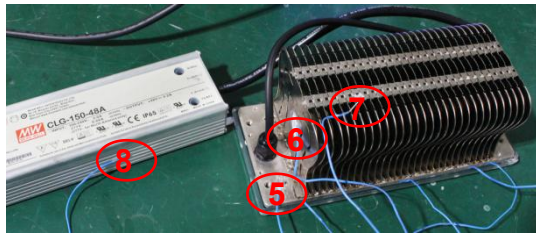
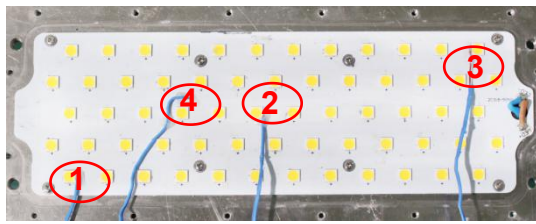


Professional Light Distribution

Multiple optical lens choices are available with angles including 30°/60°/90°/120° to meet the requirements for professional light distribution and an extensive scope of applications.



Temperature Rise Test



Test Point	Time(min)	00:00:00	00:30:00	01:00:00	01:30:00	02:00:00	02:30:00
CH1 LED		32.4	77.7	78.3	79	79.6	80
CH2 LED		32.4	81.9	82.2	82.9	83.5	83.8
CH3 LED		32.4	76.7	77.1	77.8	78.3	78.8
CH4 PCB Board		32.5	77.5	77.9	78.5	79.1	79.5
CH5 Heat sink		32.5	71	71.4	72.1	72.5	73.1
CH6 Heat sink		32.4	63	63.3	64.3	64.6	65.1
CH7 Heat sink		32.5	65.6	65.9	66.8	67.4	67.9
CH8 LED Driver		32.6	47.7	54.8	58.4	60.4	61.6

Wind Test Data

Effective Projected Area (EPA) Calculation for LXSP1440W		
	-drag coefficient	1.20
	Frontal Projected Area	5.742 ft ²
	EPA	6.89 ft ²

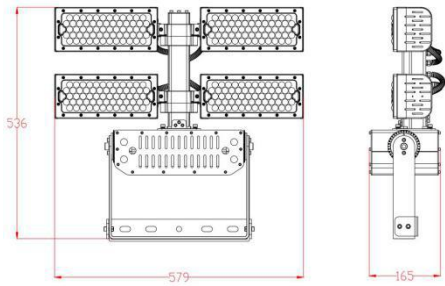
Effective Projected Area (EPA) Calculation for LXSP1200W		
	-drag coefficient	1.20
	Frontal Projected Area	5.194 ft ²
	EPA	6.23 ft ²

Effective Projected Area (EPA) Calculation for LXSP960W		
	-drag coefficient	1.20
	Frontal Projected Area	3.946 ft ²
	EPA	4.735ft ²

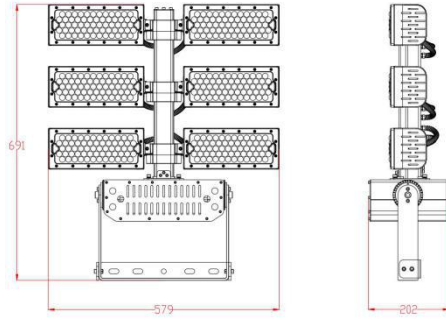
Effective Projected Area (EPA) Calculation for LXSP720W		
	-drag coefficient	1.20
	Frontal Projected Area	3.140 ft ²
	EPA	3.768 ft ²

Effective Projected Area (EPA) Calculation for LXSP480W		
	-drag coefficient	1.20
	Frontal Projected Area	1.828 ft ²
	EPA	2.194 ft ²

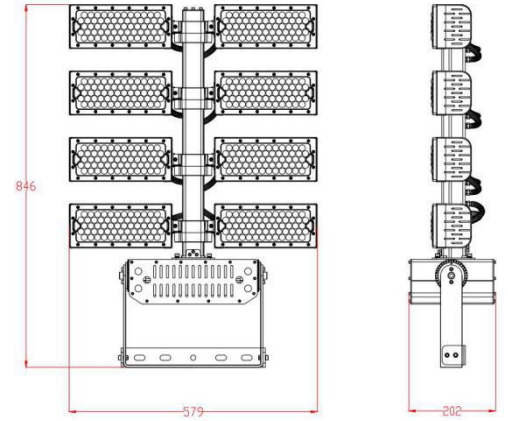
Dimension



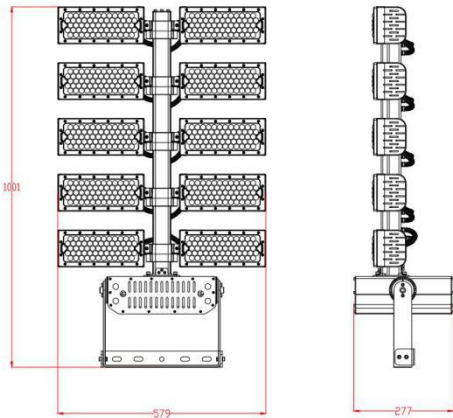
LXSP480W



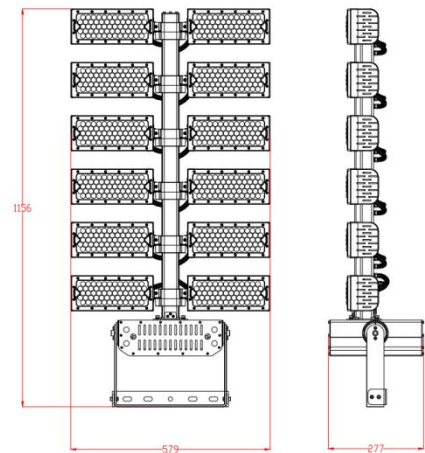
LXSP720W



LXSP960W



LXSP1200W



LXSP1440W

Packing

Model	Size of Carton	Gross Weight of Carton	Box PCS /Carton
LXSP480W	69*49*39cm	15.5KG	1
LXSP720W	69*64*39cm	20.2KG	1
LXSP960W	82*69*39cm	24.8KG	1
LXSP1200W	96*69*42cm	29.5KG	1
LXSP1440W	109*69*42cm	33KG	1